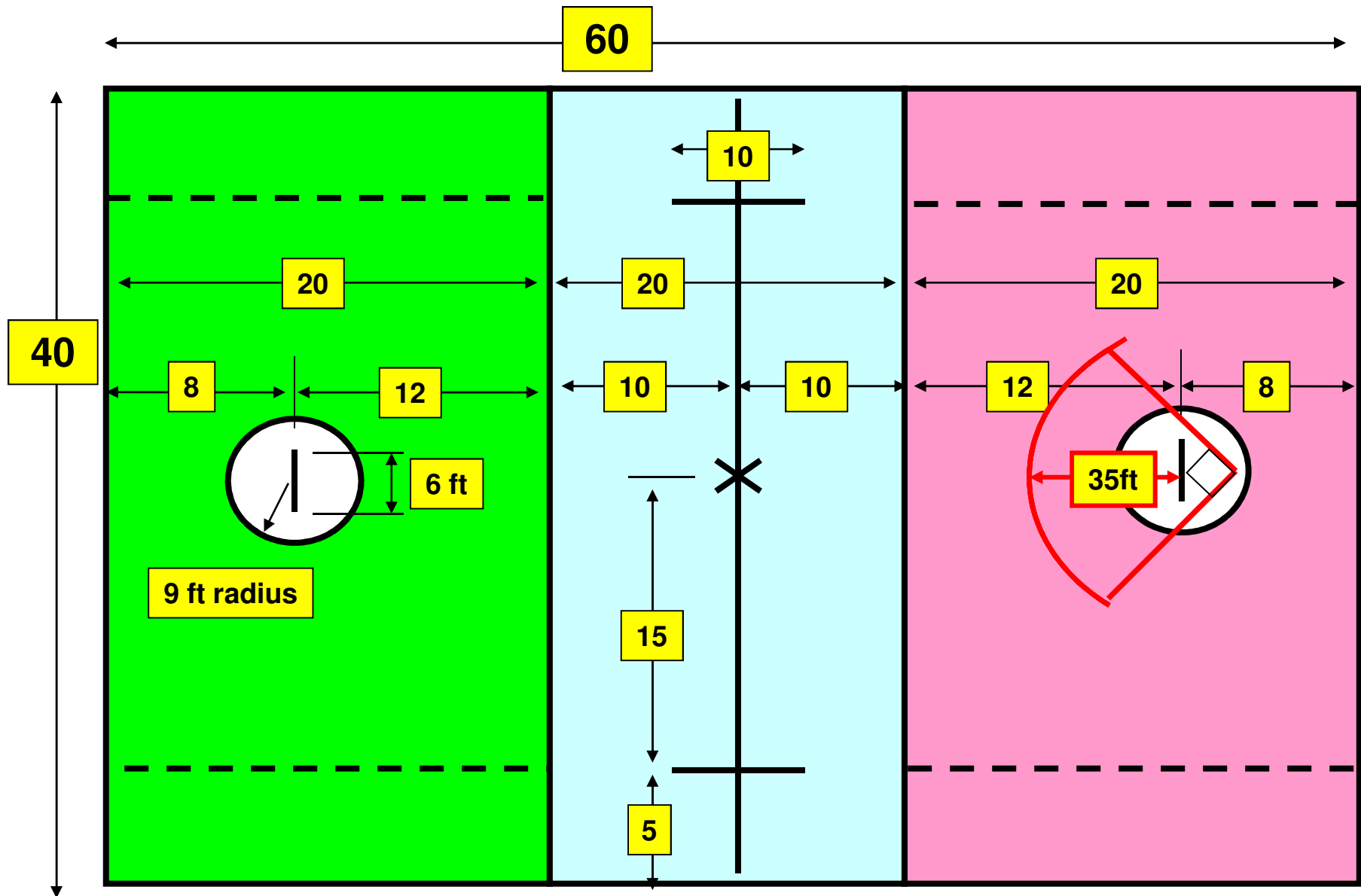
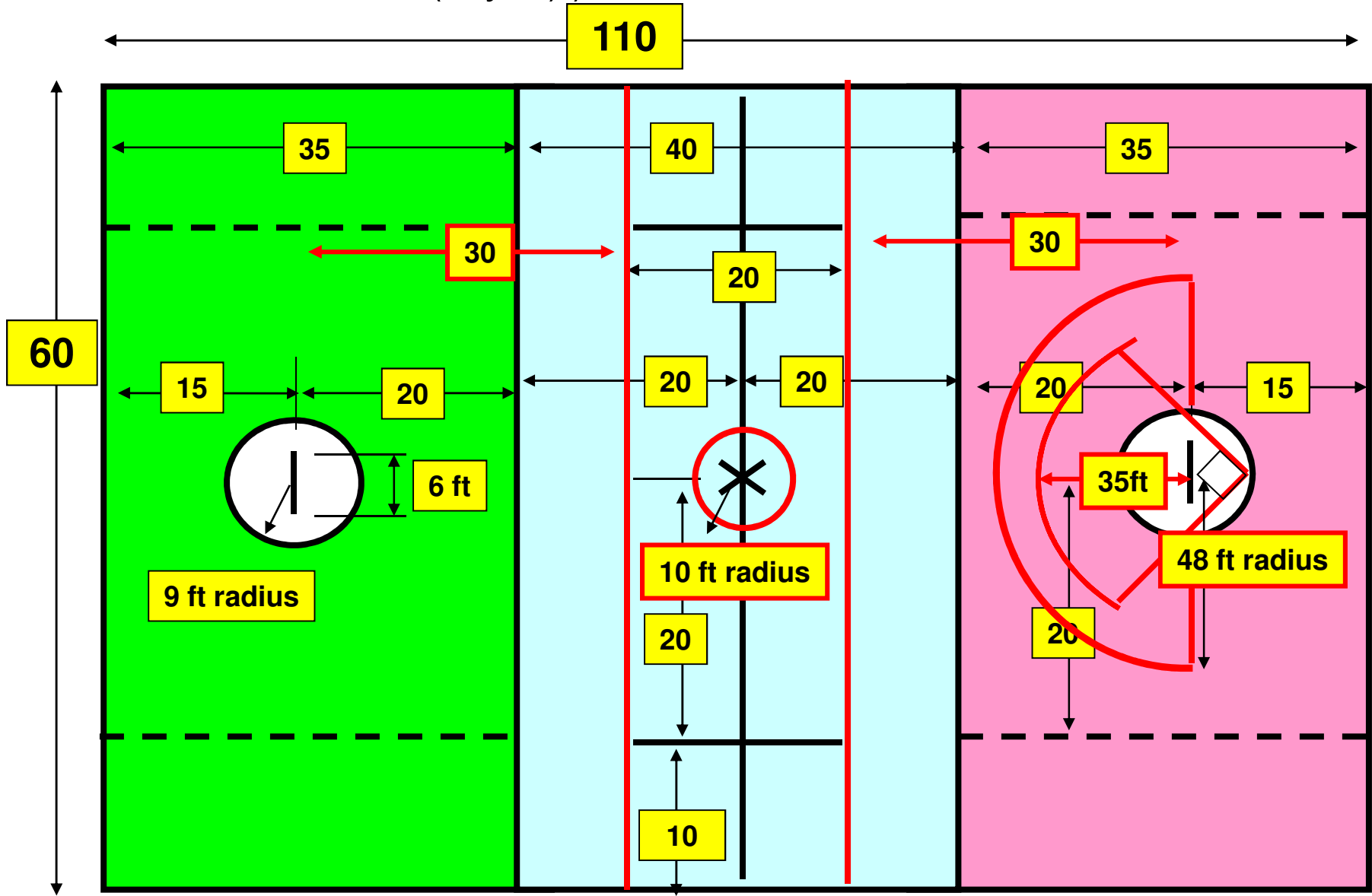


60x40 Field Dimensions Gr 1-2 & Gr 3-4 teams S1 & S2 Fields  
(in yds) **Girls added lines in red**

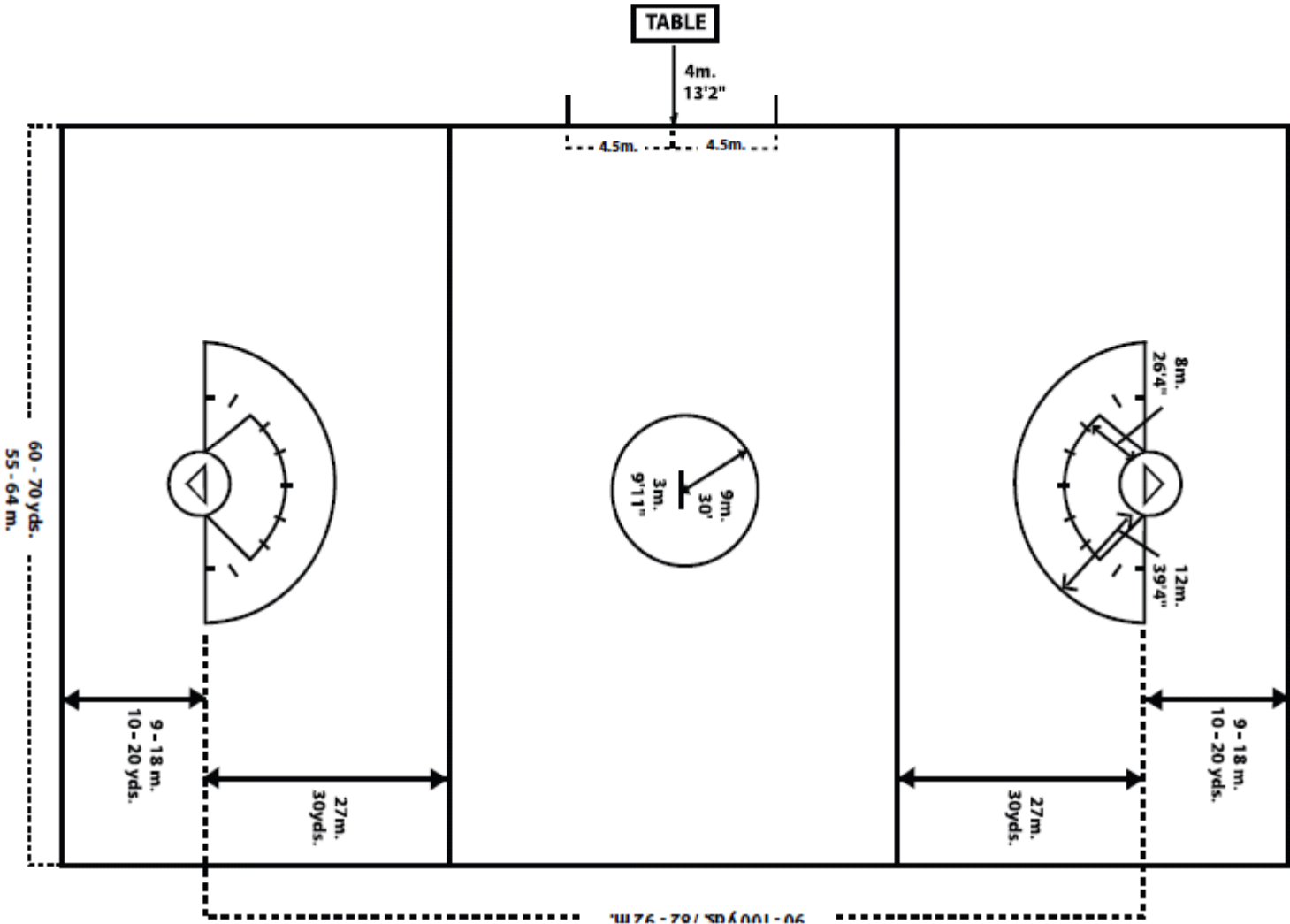


110x60 Field Dimensions Gr 5-6 team – Football Field  
(in yds) ) Girls added lines in red



# Girls Field Dimensions – Gr 5-6 -General

## RULE 1 - THE PLAYING AREA and GOALS



**Diagram 3 - Measurements**  
(Not Drawn to Scale)

# Girls Field Dimensions – Gr 5-6 Arc & Fan

8 - RULE 1 - THE PLAYING AREA and GOALS

## DIRECTIONS FOR 8 METER ARC AND 12 METER FAN

### 8 METER ARC (See Diagram 1)

1. The two sidelines are made first. Run string from the point (A) on the back of the goal circle that is perpendicular to the goal line at its center, to the points on goal circle (B), where if the goal line were extended would intersect the circle. Extend and mark these lines (45-degree angle) from the goal circle (B) 8.58m (28' 3") to point C.
2. To mark the curve of the arc, measure from the center of the goal line (D) 10.6m (34' 10") to G connecting the sidelines. The arc will now be 8 meters from the circle.
3. The center hash mark 30.5cm (1') on the 8 meter arc shall be measured from the center of and perpendicular to the goal line (10.6m/34' 10"). The other hash marks will be measured 4, 8, and 12 meters respectively from either side of the center hash mark. Two additional hash marks will be made 8 meters from the goal circle, perpendicular to the goal line extended.

### 12 METER FAN (See Diagram 1)

Inscribe a semi-circle (E) from the center of the goal line (D) 14.6m (47' 9"). The flat side of the semi-circle should be marked from the points on the goal circle (B) to the semi-circle.

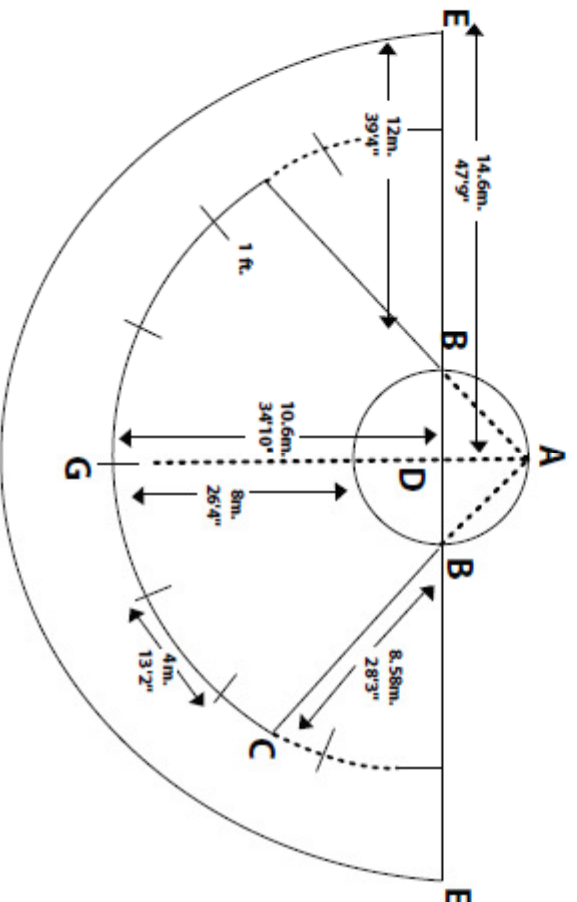


Diagram 1 - 8m arc/12m fan

# Girls Field Dimensions – Gr 5-6 Crease

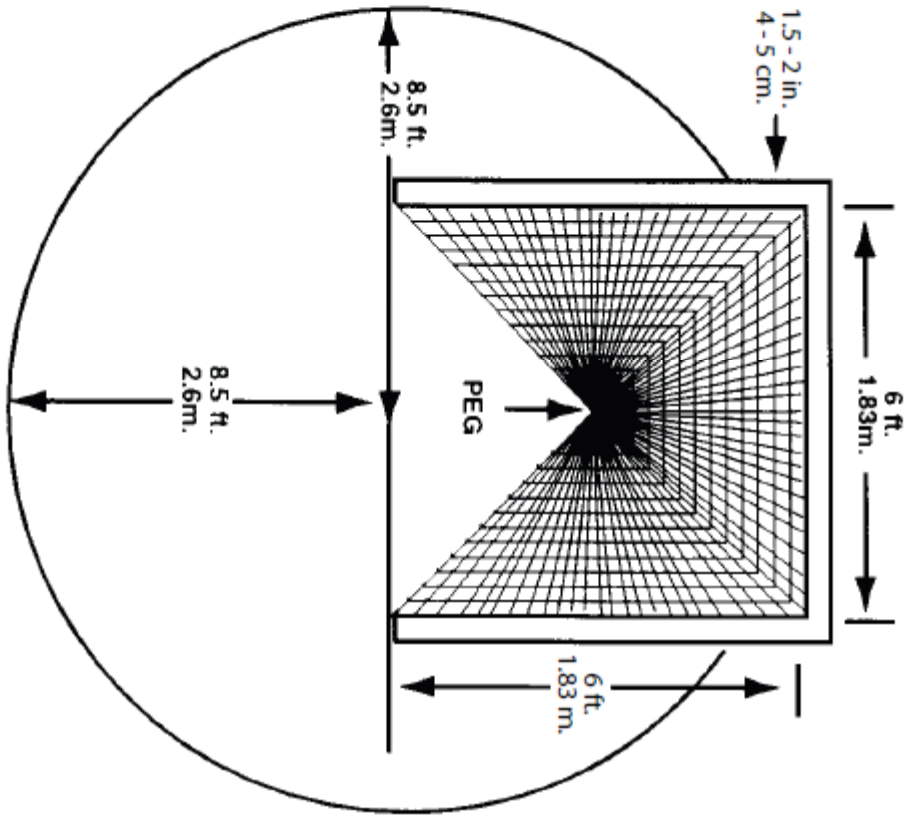


Diagram 4 - The Goal/Goal Circle